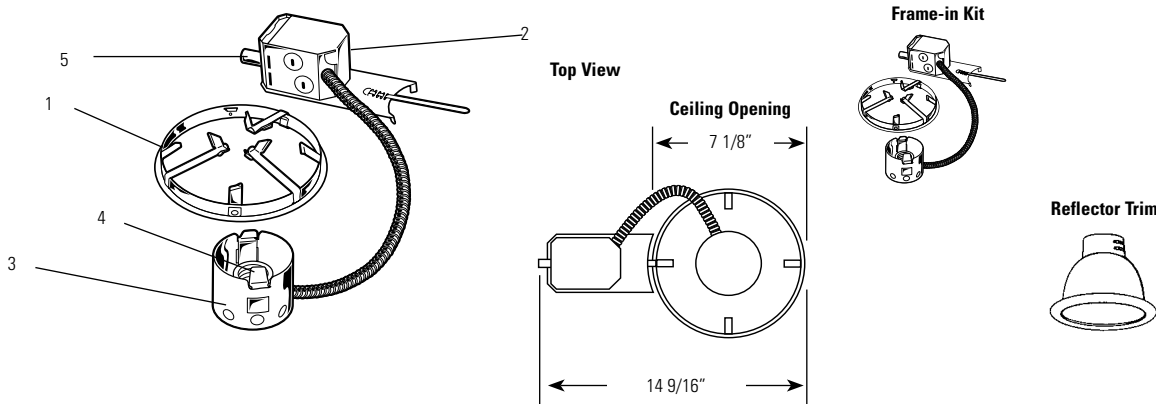


Lytecaster® Recessed Downlighting **1103R**



Complete Fixture consists of Reflector Trim & Fram In Kit. Select each separately.

Frame-In Kit	Reflector Trims — See Individual Reflector Trim Specification Sheets															
	Open Downlight						Recessed Adjustable			Enclosed Diffusers	Wall Washer	Open Wet Location				
	Reflector	Cone	Cross Blade	Basic White	Baffles	Basic										
1103R	1143	1112	1132	1176WH	1105	1170M1	Line Voltage			1121	1135	1184WH				
	1144	1112NM		1170M1	1105BNM		1171	1127	1129CL				1138	1124	1135WH	1184CD
	1144CD	1113		1171	1105NM		1127NM	1129CLNM	1138NM				1126	1185		
	1145	1113WH		1105WH	1176		1127BK	1129GD	1148				1128	1186		
	1146	1113BK		1176	1179M1		1127BKNM	1129GDNM	1148NM				1134	1186WH		
	1146CD	1113BKNM		1179M1	1179WH		1127CDNM	1129BK					1177SH			
	1149	1113CD		1179WH			1127CD	1129BKNM					1178SH			
	1150	1113CDNM					1127BNM	1129WH					1190			
	1151	1113NM					1127WH									
	1151CD						1129									
		Satin Cone					Low Voltage									
		1108					1152	1161	1163							
		1108NM					1155	1161WH	1164							
		1110					Eyeball									
		1110NM					1122	1123	1182							
							1122WH	1123WH								

Features

- Mounting Ring:** .032 (#22 ga.) galvanized steel. Accommodates existing ceilings up to 2" thick. Attaches securely to any type of ceiling material without tools using (3) mounting straps provided. Push-in/twist-out clips hold reflector flush to ceiling. Includes adhesive backed aperture template.
- Junction Box:** 2 1/2" X 2 1/2" X 3 1/2" (21 cu. in.) .032 (#22 ga.) galvanized steel. U.L. listed for 90° C supply wire. Integral cable clamps permit attachment of non-metallic (#12 or #14 ga.) Romex® cable without tools or additional connectors. Attaches to mounting ring without tools.
- Socket Housing:** Impact extruded aluminum or galvanized steel.
- Socket:** Porcelain medium base; nickel plated screw shell. Pre-wired with #18 ga. SF1 (300 VOLT 200° C) leads to junction box.
- Thermal Protector:** Meets NEC and U.L. requirements. Do not install insulation within 3 inches of fixture sides or wiring compartment nor above fixture in such a manner as to entrap heat.

Options & Accessories

Thermal Protector Replacement: 1970
Replacement Clips (Set of 3): 1997

Labels

UL (Suitable for Damp Locations)

Romex® is a registered trademark of General Cable Industries Inc.
US and Foreign Patents Pending.

Job Information	Type:
Job Name:	
Cat. No.:	
Lamp(s):	
Notes:	

Lightolier a Genlyte company www.lightolier.com
 631 Airport Road, Fall River, MA 02720 • (508) 679-8131 • Fax (508) 674-4710
 We reserve the right to change details of design, materials and finish.
 © 2006 Genlyte Group LLC • F0906

LIGHTOLIER®